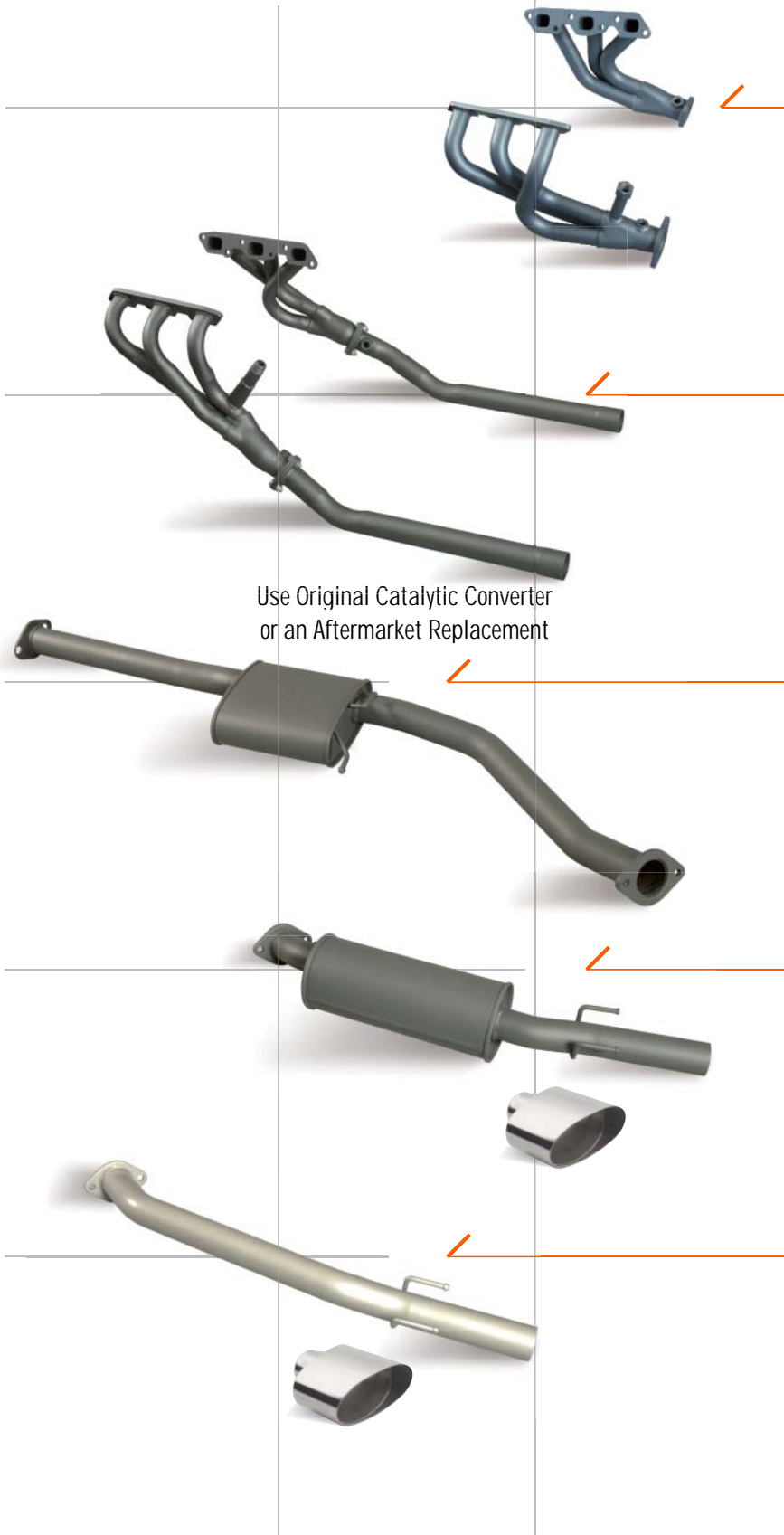


Note: To fit this system BS9579 will need to be extended by approximately 90mm.



Use Original Catalytic Converter
 or an Aftermarket Replacement

HU331STM

HURRICANE headers.
 Refer to HURRICANE catalogue for fitting details.
 Gasket headers TG1008

HTH117
HTH117SS

HITECH headers stainless.
HITECH headers.
 Refer to HITECH catalogue for fitting details.
 Gasket headers TG1008

BS9579

PEX centre.
 Pipe size 63mm, chambered muffler design, fully flanged. Bolts direct to original cat or to the above headers provided the cat is mounted in original position.
 Gasket inlet BEG456

BS9580

PEX rear.
 Pipe size 63mm, tuned muffler design, fully flanged.
 Gasket inlet BEG297
 Recommended tip BSX421

BS9581



PEX rear.
 Pipe size 63mm, fully flanged.
 Gasket inlet BEG297
 Recommended tip BSX421
 ! Recommended for track or off road use only.